



R1 & T9

with MultiPac Air



REVOLUTION LINE

Recycling got more

WOW





R1 & T9

with MultiPac Air



REVOLUTION LINE

Recycling just got more

WOW



Earn a reputation for the best retail recycling experience

Edge out the competition with a recycling experience that draws more customers and keeps them coming back. One hundred percent of customers interviewed in Norway, Sweden and Finland* prefer using the TOMRA R1 over single-feed machines, and they prefer to shop where they love to recycle.

* In-store qualitative research conducted in Norway, Sweden and Finland in 2021 with 119 respondents.



Customers will love how convenient recycling can be

Now your customers barely need to stop before they can shop. TOMRA R1's multi-feed machine accepts over 100 plastic bottles and cans in one go, at the fastest return speed in the industry. Plus, customers don't handle each container, so they have a mess-free start to their shopping trip.



Collect the most beverage containers with a revolution in reverse vending

Stores that switch to the TOMRA R1 collect the most containers – 92% more on average than before they made the upgrade*. Paired with the T9 and MultiPac Air, the TOMRA R1 system can handle a wide range of containers with the best system speed and storage capacity available in retail.

* Average volume growth across XX stores in X countries. Measure on [add date].



Unlock Express Mode and more with Digital Tools

The TOMRA R1 is fully compatible with all of our digital solutions and APIs. When you connect to TOMRA's Consumer Engagement API, you can enable Express Mode so your customers can start their return by scanning an on-screen QR code, leave the machine to process the containers, and receive their refund via an electronic voucher. It's the first completely automated container recycling experience that gets your customers shopping faster.





It pays to offer a TOMRA R1 recycling experience



“

When planning to buy the R1, our goal was to improve customer satisfaction and, of course, double the return volume. In the past, we collected around 5.1 million bottles and cans per year. During the first year with TOMRA R1, the volume increased to 14 million.

”

“

I am really happy with it. Customers come to our store to recycle, and then do their shopping here too. We recently had two new competitors move next door, but we are still experiencing growth. I believe the new machine is a contributing factor.

”

“

All our customers are surprised ‘What? I don’t need to do anything? I just pour them in?’ Our experience is that the machine attracts more customers to the store, and if they recycle here, they shop here!

”

“

We started with the first R1 machines in Tarm and Glamsbjerg. When we saw they were running, we invested in four more, and by the end of the year we’ll have nine. We also have plans to renovate a few of our stores, and I hope that all 15 will eventually have room for an R1. (...) We believe it’s the future of retail packaging handling and we think customers deserve it.

”

Retailers help the world recycle

Deposit return systems (DRS) for beverage container recycling help keep valuable resources in a continuous loop of use and reuse. At TOMRA, we call this process Clean Loop Recycling.

As a retailer, you're at the heart of Clean Loop Recycling. You play a critical role at the point where consumers buy and return their containers.

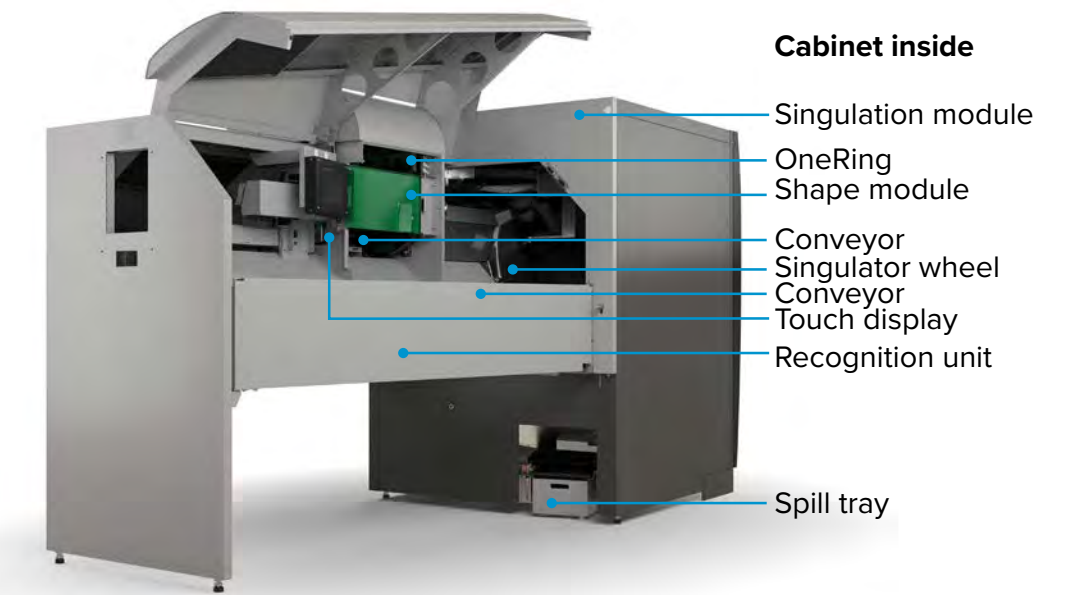
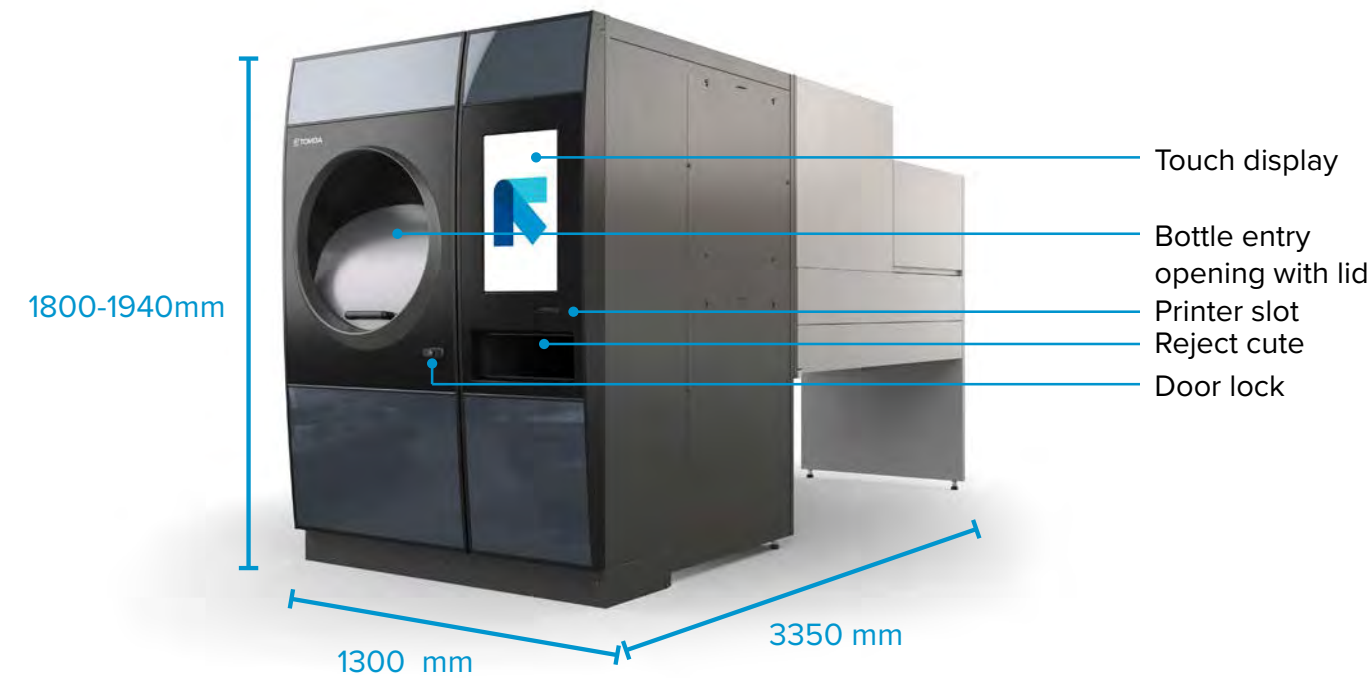


Let's put recycling to work for you

Choosing to partner with TOMRA means creating a **great recycling experience for your customers**, making a **smart investment for your store**, and choosing a solution that brings **peace of mind and excellent support for your operations**.

TOMRA R1™

Recycling just got more WOW



TOMRA R1/ENG/06.2023

MEASUREMENTS*

Dimensions [W x D x H]	1300 mm x 3350 mm x 1800-1940 mm
Infeed height ¹	1200 mm
Adjustment range for height	140 mm
Footprint	4.42 sqm
Weight	601 kg

STANDARD CONFIGURATION*

Machine type	Consumer-facing reverse vending machine
Colors	Light grey NCS S3005-R80B, dark grey NCS S7005-R80B, red NCS S1580-Y90R, and black. Choose between glossy or matte (front doors). Custom color and décor print upon request
User interface	Consumer-facing display: 21.5" touch display, video and sound capabilities, user guidance on machine screen Operator display: 10.4" touch display, video and sound, capabilities, user guidance on machine screen Printer: Thermal printer
Optional configurations	Power socket, drain collector, express mode lock, loyalty reader
Compatible backroom products	MultiPac Air and MaxiPac

ENVIRONMENTAL

Humidity	Maximum 90% relative humidity, non-condensing
Temperature	+10°C to +40°C / +50°F to 104°F
Noise	The machine has been designed for indoor use Noise Equivalent continuous sound pressure: LAeq 75.4 dB

RECOGNITION

Recognition technology	TOMRA Flow Technology™ (360° instant recognition, shape recognition, full container detection, barcode recognition, and metal detection)
Accepted containers	Non-refillable and refillable plastic bottles and cans
Speed capability ²	Up to 120 containers per minute
Container sizes	Bottle size: Diameter 50-130 mm, height 85-380 mm Can size: Diameter 50-100 mm, height 80-200 mm
Optional features	Security mark recognition (market specific)

STORAGE CAPACITY*

Accepted containers	Up to 2 types of containers: Cans, plastic bottles
Storage capacity per bin	PET bottles: Up to 1500 (compacted) Cans: Up to 6000 (compacted) 50/50 mixed PET bottles/cans: 2000 (compacted using mix crusher)
Container sizes	50-130 mm x 80-380 mm (D x H)

ELECTRICAL

Power consumption	Idle 80W, active 576W
Mains	TOMRA R1: 400 V AC 3-phase w/ground, 50 Hz, 16 A Air compressor: 2x 230 V AC 1-phase w/ground, 50 Hz, 10 A

CONNECTIVITY

External IT interface	LAN (Ethernet TCP/IP), POS compatible
Digital tools	Fully compatible with TOMRA's portfolio of digital products and APIs

* May vary in different countries due to variations in beverage container materials, shapes and sizes.

¹ To bottom of infeed cone.

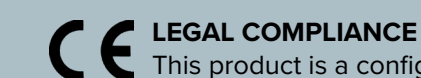
² Performance data may vary across markets, deposit regulations and system requirements.



Get in the Loop at tomra.com/Collection



TOMRA CERTIFICATION
TOMRA SYSTEMS ASA has implemented and maintains a Quality and Environmental Management System which fulfils Nemko's provisions for Management System Certification and the requirements of standards NS-EN ISO 9001:2015 and NS-EN ISO 14001:2015, with the scope described by the organization on 2018-05-29. The certification covers the development and delivery of automated systems for recycling.



LEGAL COMPLIANCE
This product is a configurable system of machine components. When assembled on installation site, tested and connected to the grid, the installation must be labelled and have the CE mark affixed. The CE marking is based on the following European Directives:
2006/42/EU, Community Legislation on Machinery.
2014/30/EU, Electromagnetic Compatibility (EMC).
2011/65/EU, Restrictions of Hazardous Substance (RoHS).
2012/19/EU, Waste Electrical and Electronic Equipment (WEEE).

We reserve the right to make changes to specifications without prior notice. While every effort has been made to ensure all information contained in this document is accurate, TOMRA assumes no liability for any errors, inaccuracies or omissions that may occur. All products and offers are subject to country availability. Please consider the environment before printing.

TOMRA T9

Bottle™

MEASUREMENTS*

Dimensions [W x D x H]	605 mm x 667 mm x 1704 mm +238mm
Infeed height ¹	Factory preset/lowest: 1332/1310 mm with EasyPac backroom
Adjustment range for height	38 mm (1704-1942)
Footprint	0.4 sqm
Weight ²	119 kg

STANDARD CONFIGURATION*

Machine type	Consumer-facing reverse vending machine
Colors	Light grey NCS S3005-R80B, dark grey NCS S7005-R80B, red NCS S1580-Y90R, and black. Choose between glossy or matte (front door) Custom color and décor print upon request
User interface	Display: 10.4" touch display, video and sound capabilities, user guidance on machine screen Printer: Thermal printer
Optional configurations	Short door for wall mount, wall frames, robust MMI, bag hook, extended infeed cone, extended infeed cone w/light guidance, side or front lock, power socket, poster holder door front, donation, electronic receipt, bottle guards, infeed conveyor side guides, and loyalty card reader
Compatible backroom products	EasyPac, MultiPac and MultiPac Air

RECOGNITION

Recognition technology	TOMRA Flow Technology™ (360° instant recognition, shape recognition, full container detection, barcode recognition, and metal detection)
Accepted containers	Non-refillable and refillable plastic bottles, non refillable and refillable glass bottles, and cans.
Speed capability ³	Up to 60 containers per minute
Container sizes	Bottle size: Diameter 50-130 mm, height 85-380 mm Can size: Diameter 50-100 mm, height 80-200 mm
Optional features	Security mark recognition (market specific)

ENVIRONMENTAL

Humidity	Maximum 90% relative humidity, non-condensing
Temperature	+10°C to +40°C / +50°F to 104°F The machine has been designed for indoor use
Noise	Equivalent continuous sound pressure: LAeq < 75 dB

ELECTRICAL

Power consumption	Idle 45W, active 285 W
Mains	230 V AC 1-phase w/ground 50 Hz, min 10A, max 16A

CONNECTIVITY

External IT interface	LAN (Ethernet TCP/IP), POS compatible
Digital tools	Fully compatible with TOMRA's portfolio of digital products and APIs

* May vary in different countries due to variations in beverage container materials, shapes and sizes.

¹ To bottom of infeed cone.

² May vary according to packaging

³ Performance data may vary across markets, deposit regulations and system requirements.



Get in the Loop at tomra.com/Collection



TOMRA CERTIFICATION
TOMRA SYSTEMS ASA has implemented and maintains a Quality and Environmental Management System which fulfils Nemko's provisions for Management System Certification and the requirements of standards NS-EN ISO 9001:2015 and NS-EN ISO 14001:2015, with the scope described by the organization on 2018-05-29. The certification covers the development and delivery of automated systems for recycling.



LEGAL COMPLIANCE
This product is part of a configurable system of machine components. When assembled on installation site, tested and connected to the grid, the installation must be labelled and have the CE mark affixed. The CE marking is based on the following European Directives:
2006/42/EU, Community Legislation on Machinery.
2014/30/EU, Electromagnetic Compatibility (EMC).
2011/65/EU, Restrictions of Hazardous Substance (RoHS).
2012/19/EU, Waste Electrical and Electronic Equipment (WEEE).

We reserve the right to make changes to specifications without prior notice. While every effort has been made to ensure all information contained in this document is accurate, TOMRA assumes no liability for any errors, inaccuracies or omissions that may occur. All products and offers are subject to country availability. Please consider the environment before printing.

TOMRA T9

Bottle Crate™

MEASUREMENTS*

Dimensions [W x D x H]	605 mm x 953 mm x 1768 mm +174mm
Infeed height¹	Factory preset/lowest: 1332/1310 mm with EasyPac backroom
Adjustment range for height	174 mm (1768-1942)
Footprint	0.6 sqm
Weight	200 kg

STANDARD CONFIGURATION*

Machine type	Consumer-facing reverse vending machine
Colors	Light grey NCS S3005-R80B, dark grey NCS S7005-R80B, red NCS S1580-Y90R, and black. Choose between glossy or matte (front door) Custom color and décor print upon request
User interface	Display: 10.4" touch display, video and sound capabilities, user guidance on machine screen Printer: Thermal printer
Optional configurations	Wall frames, robust MMI, bag hook, extended infeed cone, extended infeed cone with light guidance, side or front lock, power socket, donation, electronic receipt, bottle guards, infeed conveyor side guides, loyalty card reader, back doors and outlet rollers (crate)
Compatible backroom products	EasyPac, MultiPac and MultiPac Air

RECOGNITION

Recognition technology	TOMRA Flow Technology™ (360° instant recognition, shape recognition, full container detection, barcode recognition, and metal detection). TOMRA True Vision™ (Crate and content detection)
Accepted containers	Non-refillable and refillable plastic bottles, non refillable and refillable glass bottles, cans and crates.
Speed capability²	Up to 60 containers per minute Up to 21 crates per minute
Container sizes	Bottle size: Diameter 50-130 mm, height 85-380 mm Can size: Diameter 50-100 mm, height 80-200 mm Crate size: Min: W: 120, H: 100, L: 120 mm/ Max: W: 405, H: 405, L: 530 mm
Optional features	Security mark recognition, full crate detector, crate color and logo detector

ENVIRONMENTAL

Humidity	Maximum 90% relative humidity, non-condensing
Temperature	+10°C to +40°C
Noise	The machine has been designed for indoor use Equivalent continuous sound pressure: LAeq < 75 dB

ELECTRICAL

Power consumption	Idle 55W, active 285 W
Mains	230 V AC 1-phase w/ground 50 Hz, min 10A, max 16A

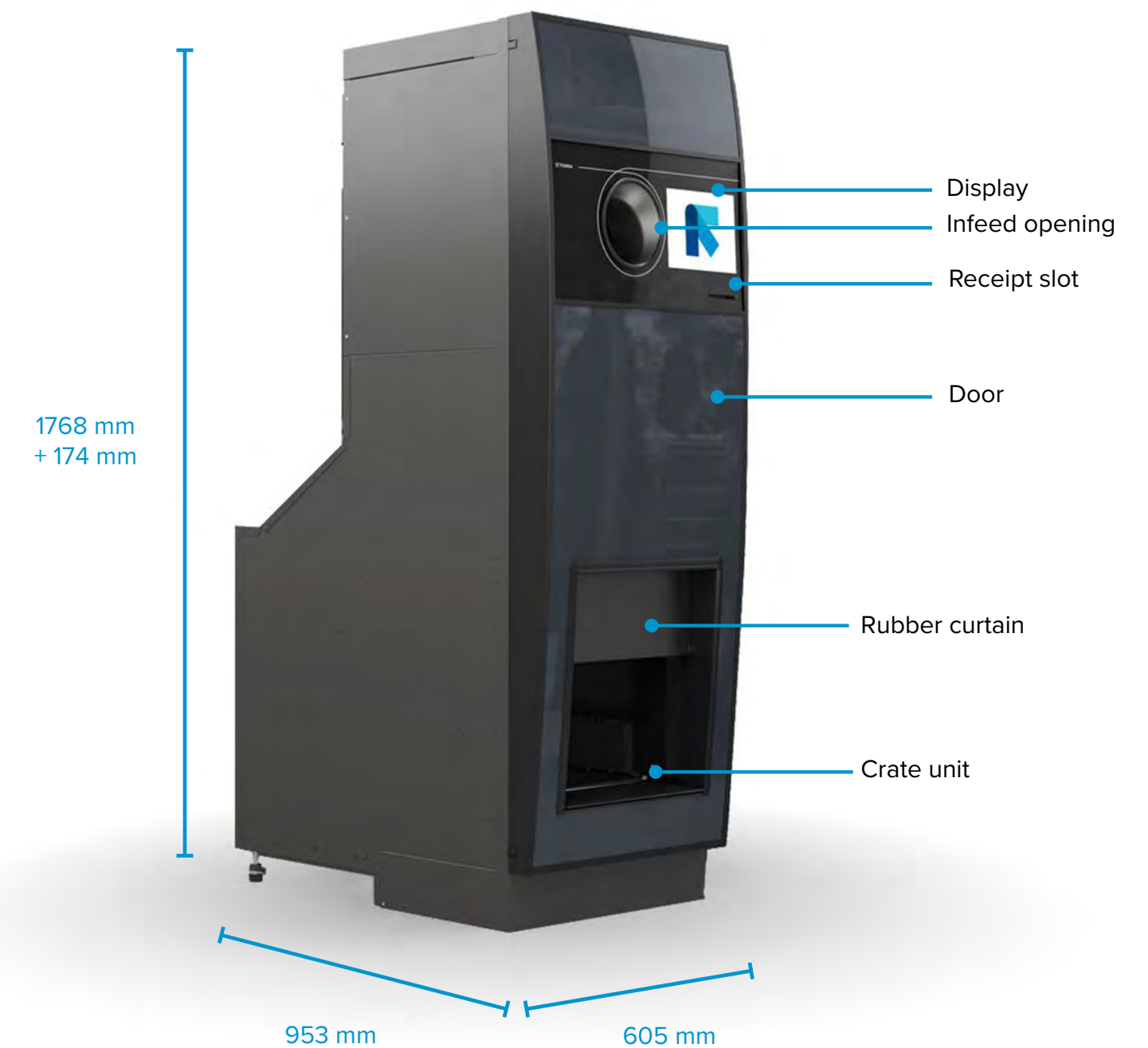
CONNECTIVITY

External IT interface	LAN (Ethernet TCP/IP), POS compatible
Digital tools	Fully compatible with TOMRA's portfolio of digital products and APIs

* May vary in different countries due to variations in beverage container materials, shapes and sizes.

¹ To bottom of infeed cone.

² Performance data may vary across markets, deposit regulations and system requirements.



Get in the Loop at tomra.com/Collection



TOMRA CERTIFICATION
TOMRA SYSTEMS ASA has implemented and maintains a Quality and Environmental Management System which fulfils Nemko's provisions for Management System Certification and the requirements of standards NS-EN ISO 9001:2015 and NS-EN ISO 14001:2015, with the scope described by the organization on 2018-05-29. The certification covers the development and delivery of automated systems for recycling.



LEGAL COMPLIANCE
This product is part of a configurable system of machine components. When assembled on installation site, tested and connected to the grid, the installation must be labelled and have the CE mark affixed. The CE marking is based on the following European Directives:
2006/42/EU, Community Legislation on Machinery.
2014/30/EU, Electromagnetic Compatibility (EMC).
2011/65/EU, Restrictions of Hazardous Substance (RoHS).
2012/19/EU, Waste Electrical and Electronic Equipment (WEEE).

We reserve the right to make changes to specifications without prior notice. While every effort has been made to ensure all information contained in this document is accurate, TOMRA assumes no liability for any errors, inaccuracies or omissions that may occur. All products and offers are subject to country availability. Please consider the environment before printing.

MultiPac Air™

MEASUREMENTS (PER CABINET)*

Dimensions [W x D x H]	1400 mm x 1000 mm x 1800-1940 mm
Footprint	1.4 sqm
Weight	390 kg (max) ¹

STANDARD CONFIGURATION*

Machine type	Modular backroom solution
Layout/orientation	Straight
Number of bins per cabinet	1 x 1/1 Euro-pallet
Type of compactors	PET crusher, Can crusher, Mix crusher, Glass crusher and Glass drop
Bin unload direction	Right or left side
End of lane kits	Table with bottle raiser ² , End default and SoftDrop
Colors	Two-tone grey and black
User interface	Front display with illuminated push-button
Optional accessories	Cabinet leg protection and top displays
Compatible consumer-facing reverse vending machines	TOMRA R1, TOMRA T9 Bottle and TOMRA T9 Bottle Crate

STORAGE CAPACITY (PER BIN)*

Accepted containers	Non-refillable and refillable plastic bottles, non-refillable and refillable glass bottles, and cans
Storage capacity per bin	PET bottles: Up to 1500 (compacted) Cans: Up to 6000 (compacted) 50/50 mixed PET bottles/cans: 2000 (compacted using mix crusher) Glass bottles: Up to 400

ENVIRONMENTAL

Humidity	Maximum 90% relative humidity, non-condensing
Temperature	+10°C to +40°C
Noise	The machine has been designed for indoor use Equivalent continuous sound pressure: LAeq < 75 dB

ELECTRICAL

Power consumption	Idle 25W, active 400 W
Mains	400V AC 3-phase w/ground 16A, 50 Hz

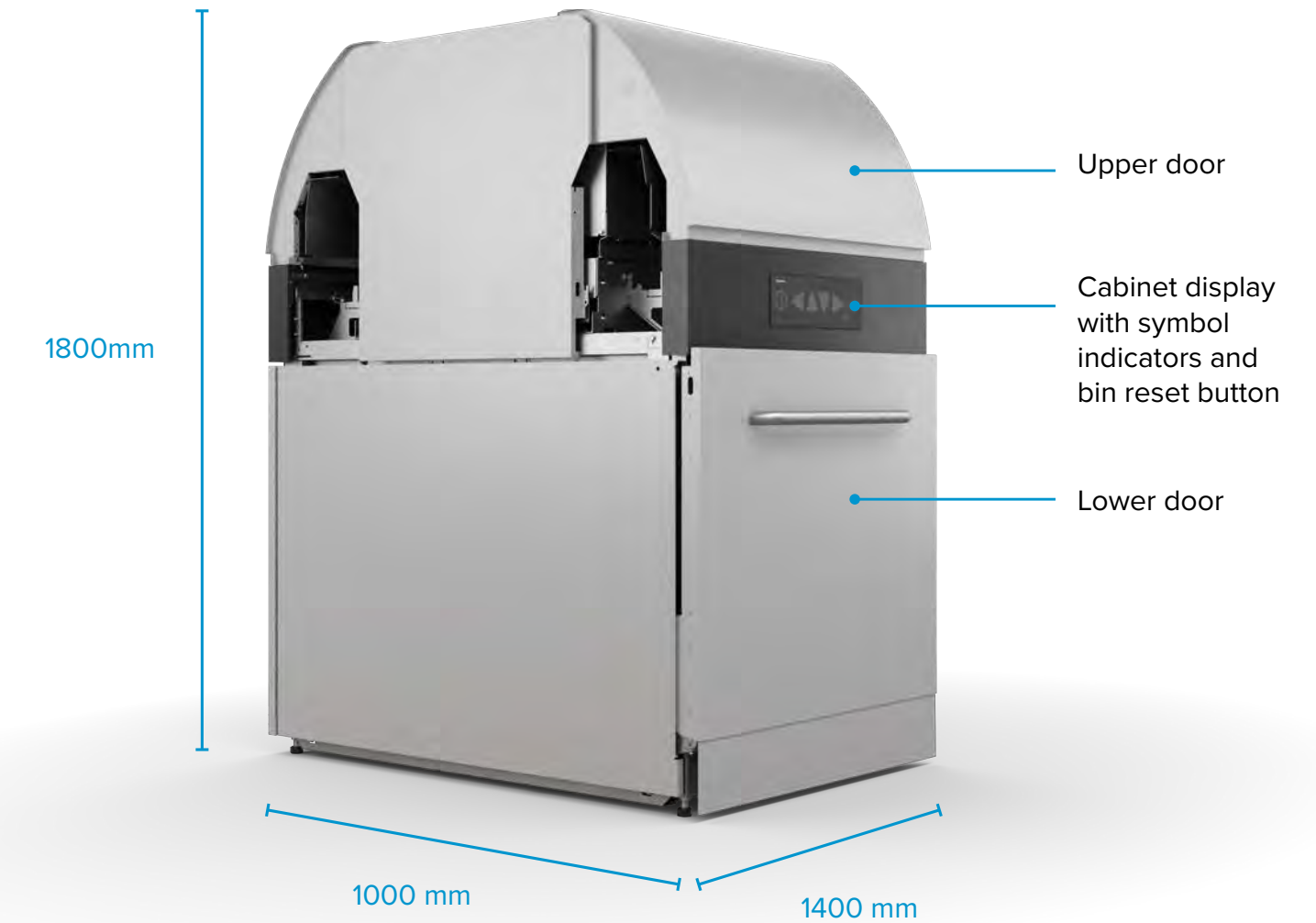
CONNECTIVITY

External IT interface	LAN (Ethernet TCP/IP), POS compatible
Digital tools	Fully compatible with TOMRA's portfolio of digital products and APIs

* May vary in different countries due to variations in beverage container materials, shapes and sizes.

¹ May vary according to packaging.

² Table is only applicable for the TOMRA T9.



TOMRA MultiPac Air / ENG/06.2023



Get in the Loop at tomra.com/Collection



TOMRA CERTIFICATION
TOMRA SYSTEMS ASA has implemented and maintains a Quality and Environmental Management System which fulfils Nemko's provisions for Management System Certification and the requirements of standards NS-EN ISO 9001:2015 and NS-EN ISO 14001:2015, with the scope described by the organization on 2018-05-29. The certification covers the development and delivery of automated systems for recycling.



LEGAL COMPLIANCE
This product is part of a configurable system of machine components. When assembled on installation site, tested and connected to the grid, the installation must be labelled and have the CE mark affixed. The CE marking is based on the following European Directives:
2006/42/EU, Community Legislation on Machinery.
2014/30/EU, Electromagnetic Compatibility (EMC).
2011/65/EU, Restrictions of Hazardous Substance (RoHS).
2012/19/EU, Waste Electrical and Electronic Equipment (WEEE).

We reserve the right to make changes to specifications without prior notice. While every effort has been made to ensure all information contained in this document is accurate, TOMRA assumes no liability for any errors, inaccuracies or omissions that may occur. All products and offers are subject to country availability. Please consider the environment before printing.

TOMRA Collection

TOMRA Collection is part of the TOMRA Group, which is Leading the Resource Revolution by transforming how we obtain, use, and reuse our world's resources.

With over 82,000 installations across more than 60 markets, retailers and consumers around the world rely on our reverse vending machines to collect more than 45 billion used bottles and cans each year, which can be recycled into new containers.

Clean Loop Recycling is the easy and rewarding way to make choices that make change.

Get in the Loop at [tomra.com](https://www.tomra.com)

